

CODE NO.	PART NO.	DESCRIPTION AND MODELS	PER CAR	CODE NO.	PART NO.	DESCRIPTION AND MODELS	PER CAR
CARBURETOR				CARBURETOR--Continued			
9.1001		CARBURETOR ASSEMBLY		9.1034		BRACE - AIR CLEANER	
	377734	2000-10-2100-30	1		373035	1951-2000-01-10-11-2100-01-11-30	1
	377735	1951-2001-11-2101-11	1	9.1035		BRACKET - AIR CLEANER AND SILENCER SUPPORT	
	377736	2003-06-2103-06-26	1		377960	2003-06-2103-06-26	1
	6658	Connector, inlet, (50.725) 1951-2000-01-10-11-2100-01-03-06-11-26-30	1		5506	Lockwasher 3/8 (50.220) 2003-06-2103-06-26	1
	5504	Lockwasher 5/16 (50.200) 1951-2001-11-03-06-2101-03-06-11-26	4		7006	Nut 3/8-24 (50.100) 2003-06-2103-06-26	1
	7006	Nut 3/8-24, stud, (50.100) 2000-10-2100-30	2		5666	Stud 3/8 x 1-13/32, to cylinder head, (50.090) 2003-06	1
	7005	Nut 5/16-24, stud, (50.100) 1951-2001-11-03-06-2101-03-06-11-26	4	9.106		COVER - AUTOMATIC CHOKE MANIFOLD HEAT CHAMBER	
	348503	Stud 3/8, to manifold, (50.090) 2000-10-2100-30	2		333301	2000-10	1
	300427	Stud 5/16, to manifold, (50.090) 1951-2001-11-2100-11	4		335192	2001-11	1
	364748	Stud 3/8, long, to manifold, (50.090) 2003-06-2103-06-26	2		341629	2003-06	1
	300427	Stud 3/8, short, to manifold, (50.090) 2003-06-2103-06-26	2		333343	Screw, 2000-03-06-10	2
	6781	Spacer 3/8, manifold stud, (50.200) 2003-06-2103-06-26	1		5870	Screw, 2001-11	2
9.1002		REPAIR KIT		9.109		TUBE ASSEMBLY - AUTOMATIC CHOKE	
	379698	2000-10-2100-30	1		373952	1951	1
	373113	1951-2001-11-2101-11	1		378154	not used with manifold having heat chamber cover, 2000-10-2100-30	1
	379699	2003-06-2103-06-26	1		382406	used with manifold having heat chamber cover, 2000-10	1
9.101		GASKET SET			373952	not used with manifold having heat chamber cover, 2001-11-2101-11	1
	379769	2000-10-2100-30	1		382407	used with manifold having heat chamber cover, 2001-11	1
	371155	1951-2001-11-2101-11	1		378703	not used with manifold having heat chamber cover, 2003-2103-06-26	1
	382594	2003-06-2103-06-26	1		378516	not used with manifold having heat chamber cover, 2006	1
9.1015		GASKET - CARBURETOR TO MANIFOLD			382408	used with manifold having heat chamber cover, 2003-06	1
	362257	2000-10-2100-30	2		320456	Union nut, 1951-2000-01-03-06-10-11-2100-01-03-06-11-26-30	1
	338267	1951-2001-11-2101-11	2		320457	Union sleeve, 1951-2000-01-03-06-10-11-2100-01-03-06-11-26-30	1
	341592	lower, 2003-06-2103-06-26	1	9.1115		SHIELD ASSEMBLY - HEAT	
	348465	upper, 2003-06-2103-06-26	1		378405	2003-06-2103-06-26	1
9.102		AIR CLEANER ASSEMBLY		9.113		INSULATOR	
	377233	std., 2000-10-2100-30	1		302645	1951-2001-11-2101-11	1
	377232	oil bath, 2000-10-2100-30	1		341593	2003-06-2103-06-26	1
	367338	std., 1951-2001-11-2101-11	1	9.1130		SPRING - CARBURETOR RETRACTING	
	373849	oil bath, 1951-2001-11-2101-11	1		395286	used with Electromatic clutch, 2100	1
	377698	2003-06-2103-06-26	1	9.11301		BRACKET - CARBURETOR RETRACTING SPRING	
	6061	Screw 5/16-18 x 7/8 (50.003) 1951-2000-01-10-11-2100-01-11-30	1		395288	used with Electromatic clutch, 2100	1
	3909	Washer 5/16 (50.200) 1951-2000-01-10-11-2100-01-11-30	1	9.11302		PIN - CARBURETOR RETRACTING SPRING	
	358499	Grommet (50.940) 1951-2000-01-10-11-2100-01-11-30	1		395287	used with Electromatic clutch, 2100	1
	358511	Insulation (50.925) 1951-2000-01-10-11-2100-01-11-30	1		5935	Lockwasher #10 (50.230) 2100	1
	358520	Spacer, 1951-2000-01-10-11-2100-01-11-30	1		7003	Nut #10-32 (50.003) 2100	1

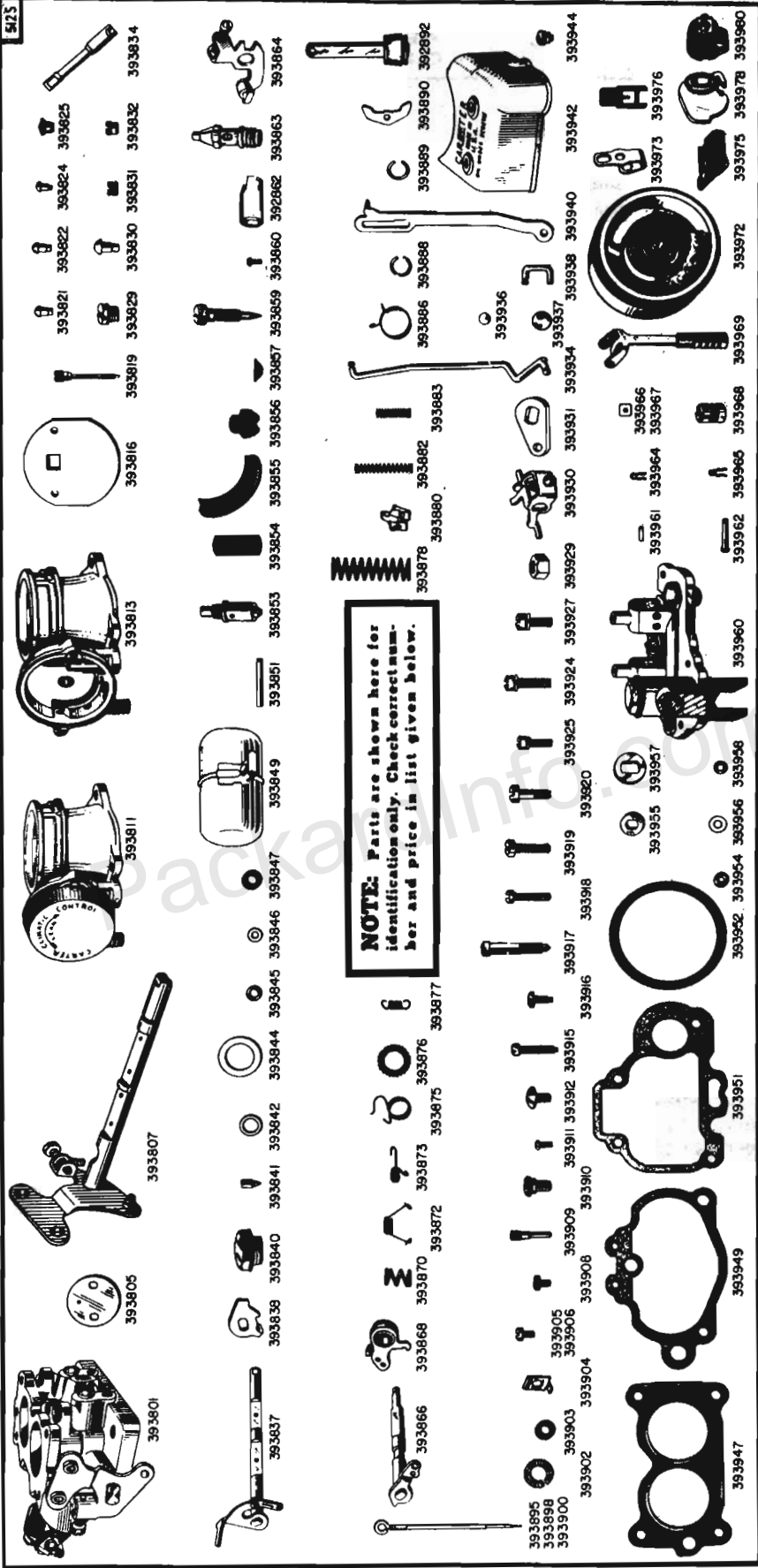
5305

NOTE: Parts are shown here for identification only. Check correct number and price in list given below.

393820 393822 393821 393824 393825 393826 393827 393804 393803 393806 393833 393836 393839 393840 393842 393843 393844 393848 393845 393809 393810 393852 393854 393855 393815 393818 393856 393857 393858 393860 393861 393862 393865 393867 393870 393871 393874 393875 393878 393879 393880 393883 393885 393881 393887 393888 393889 393890 393891 393894 393897 393899 393901 393906 393907 393917 393918 393919 393920 393921 393922 393923 393925 393926 393928 393932 393933 393937 393938 393939 393941 393943 393944 393946 393946 393950 393952 393953 393958 393959 393961 393963 393964 393966 393967 393968 393970 393971 393974 393976 393977 393979 393980 393973 393974 393976 393977 393979 393980

© CARTER CARBURETOR CORP

CODE NO.	PART NO.	DESCRIPTION AND MODELS	PER CAR	CODE NO.	PART NO.	DESCRIPTION AND MODELS	PER CAR
9.1131		DETAILS OF CARBURETOR NO. 377734 (CARTER NO. W1A-530-S) 2000-10-2100-30		393887		Spring retainer (63-35)	1
393800		Body flange & switch assembly, (1-318S)	1	393888		Switch strainer retainer ring (63-43)	1
393803		Flange gasket - 1-1/4" S.A.E. (1A-17)	1	393889		Ball retainer ring (63-45)	1
393804		Throttle valve (2-101)	1	393890		Thermostat housing retainer (63-48)	3
393806		Throttle shaft & lever assembly (3-447S)	1	393891		Plunger & rod assembly (64-55S)	1
393809		Air horn & piston housing assembly (6-345S)	1	393894		Metering rod - standard (75-535)	1
393810		Air horn & climatic control assembly (6-449S)	1	393897		Metering rod - one size lean (75-536)	1
393815		Choker valve (7-124)	1	393899		Metering rod - two size lean (75-537)	1
393818		Low speed jet assembly (11-165S)	1	393901		Flange stud lockwasher (86-15)	2
393820		Vacuum spark passage rivet plug (11B-12)	1	393904		Terminal lockwasher (86-37)	2
393821		Starterator passage rivet plug (11B-26)	1	393906		Coil housing attaching screw (101-26)	3
393822		Nozzle passage rivet plug (11B-41)	1	393907		Throttle shaft arm clamp screw (101-28)	1
393823		Vacuum spark passage rivet plug (11B-42)	1	393913		Choker lever clamp screw (101-78)	1
393824		Rivet plug (11B-79)	5	393914		Fast idle cam screw (101-81)	1
393825		Idle port rivet plug (11B-108)	1	393916		Switch terminal screw (101-109)	2
393826		Idle plug & gasket assembly (11B-117S)	1	393917		Terminal cap attaching screw (101-112)	1
393827		Ball retainer plug & gasket assembly (11B-119S)	1	393982		Throttle lever adjusting screw (101-120)	1
393829		Passage plug & gasket assembly (11B-127S)	2	393922		Piston housing screw & washer assembly (101-143S)	1
393831		Nozzle retainer plug (11B-141)	1	393923		Body flange screw & washer assembly (101-147S)	2
393833		Nozzle (12-270)	1	393925		Bowl cover screw & washer assembly (101-148S)	5
393836		Choke piston lever, link & shaft assembly (14-222S)	1	393926		Air horn screw & washer assembly (101-151S)	2
393839		Choker lever, screw & link assembly (14-298S)	1	393928		Flange stud nut (105A-13)	2
393840		Strainer nut & gasket assembly (15-35S)	1	393932		Throttle shaft arm & screw assembly (114-42S)	1
393842		Needle seat & plug gasket (20-22)	3	393933		Throttle connector rod (115-41)	1
393843		Metering rod jet & plug gasket (20-26)	3	393936		Ball (116-13)	2
393844		Bowl strainer gasket (20-35)	1	393937		Switch ball (116-19)	1
393845		Nozzle gasket (20-45)	1	393938		Pump connector link (117-58)	1
393848		Float, & lever assembly (21-70S)	1	393939		Piston link & spring assembly (117-66S)	1
393850		Float lever pin (24-15)	1	393941		Dust cover (118-28)	1
393852		Needle & seat assembly (25-42S)	1	393943		Metering rod jet & gasket assembly .1015" drill (120-15S)	1
393854		Bowl strainer gauze (30-14)	1	393948		Air horn gasket (121-51)	1
393855		Piston housing strainer (30-23)	1	393950		Bowl cover gasket (121-58)	1
393856		Pump strainer (30-34)	1	393946		Body flange gasket (121-72)	1
393857		Switch strainer (30-36)	1	393952		Coil housing gasket (121-74)	1
393858		Idle adjustment screw (30A-39)	1	393953		Metering rod disk (129-15)	1
393860		Valve attaching screw (39-10)	4	393958		Return spring washer (136-53)	1
393861		Pump jet (48-61)	1	393959		Bowl cover & strainer assembly (146-88S)	1
393862		Switch plunger (49-128)	1	393961		Choke piston pin (150-62)	1
393865		Pump operating lever & countershaft assembly (53A-211S)	1	393963		Anti-percolator pin (150-92)	1
393867		Pump arm & collar assembly (53A-213S)	1	393964		Pin spring (150A-10)	3
393870		Adjustment screw spring (61-57)	1	393966		Switch contact spring shim (.018") (153-11)	1
393871		Metering rod spring (61-75)	1	393967		Switch contact spring shim (.006") (153-12)	1
393874		Connector rod spring (61-128)	1	393968		Choke piston (160-35)	1
393876		Plunger spring (61-143)	1	393970		Vacuum piston & pin assembly (160-67S)	1
393878		Pump spring (61-171)	1	393971		Thermostatic coil & housing assembly (170K-64S)	1
393879		Rocker arm spring (61-188)	1	393973		Terminal cap hold-down clip (172-12)	1
393880		Switch contact spring (61-194)	1	393974		Cable clip (172-19)	1
393883		Switch return spring (61-209)	1	393976		Switch guide block (181-87)	1
393885		Pump operating lever spring (61-228)	1	393977		Fast idle cam & pin assembly (181-105S)	1
393881		Vacuum piston spring (61-233)	1	393979		Anti-percolator cap & rocker arm assembly (184-18S)	1
				393980		Terminal cap assembly (184-20S)	1
				393981		Starter switch unit (192-11U)	1



- 393895
- 393898
- 393900
- 393902
- 393903
- 393904
- 393905
- 393906
- 393908
- 393909
- 393910
- 393911
- 393912
- 393915
- 393917
- 393919
- 393924
- 393925
- 393927
- 393929
- 393930
- 393931
- 393934
- 393937
- 393938
- 393940
- 393942
- 393944
- 393952
- 393954
- 393955
- 393956
- 393957
- 393958
- 393960
- 393962
- 393965
- 393968
- 393969
- 393972
- 393975
- 393978
- 393980
- 393982
- 393983
- 393985
- 393986
- 393987
- 393988
- 393989
- 393990
- 393992
- 393870
- 393872
- 393873
- 393875
- 393876
- 393877
- 393878
- 393880
- 393882
- 393883
- 393885
- 393886
- 393887
- 393888
- 393889
- 393890
- 393892
- 393893
- 393894
- 393895
- 393896
- 393897
- 393898
- 393899
- 393900
- 393901
- 393902
- 393903
- 393904
- 393905
- 393906
- 393907
- 393908
- 393909
- 393910
- 393911
- 393912
- 393913
- 393914
- 393915
- 393916
- 393917
- 393918
- 393919
- 393920
- 393921
- 393922
- 393923
- 393924
- 393925
- 393926
- 393927
- 393928
- 393929
- 393930
- 393931
- 393932
- 393933
- 393934
- 393935
- 393936
- 393937
- 393938
- 393939
- 393940
- 393941
- 393942
- 393943
- 393944
- 393945
- 393946
- 393947
- 393948
- 393949
- 393950
- 393951
- 393952
- 393953
- 393954
- 393955
- 393956
- 393957
- 393958
- 393959
- 393960
- 393961
- 393962
- 393963
- 393964
- 393965
- 393966
- 393967
- 393968
- 393969
- 393970
- 393971
- 393972
- 393973
- 393974
- 393975
- 393976
- 393977
- 393978
- 393979
- 393980
- 393981
- 393982
- 393983
- 393984
- 393985
- 393986
- 393987
- 393988
- 393989
- 393990
- 393991
- 393992
- 393993
- 393994
- 393995
- 393996
- 393997
- 393998
- 393999
- 393801
- 393805
- 393807
- 393811
- 393813
- 393816
- 393819
- 393829
- 393830
- 393831
- 393832
- 393834
- 393821
- 393822
- 393824
- 393825
- 393826
- 393827
- 393828
- 393829
- 393830
- 393831
- 393832
- 393833
- 393834
- 393835
- 393836
- 393837
- 393838
- 393839
- 393840
- 393841
- 393842
- 393843
- 393844
- 393845
- 393846
- 393847
- 393848
- 393849
- 393850
- 393851
- 393852
- 393853
- 393854
- 393855
- 393856
- 393857
- 393858
- 393859
- 393860
- 393861
- 393862
- 393863
- 393864
- 393865
- 393866
- 393867
- 393868
- 393869
- 393870
- 393871
- 393872
- 393873
- 393874
- 393875
- 393876
- 393877
- 393878
- 393879
- 393880
- 393881
- 393882
- 393883
- 393884
- 393885
- 393886
- 393887
- 393888
- 393889
- 393890
- 393891
- 393892
- 393893
- 393894
- 393895
- 393896
- 393897
- 393898
- 393899
- 393900
- 393901
- 393902
- 393903
- 393904
- 393905
- 393906
- 393907
- 393908
- 393909
- 393910
- 393911
- 393912
- 393913
- 393914
- 393915
- 393916
- 393917
- 393918
- 393919
- 393920
- 393921
- 393922
- 393923
- 393924
- 393925
- 393926
- 393927
- 393928
- 393929
- 393930
- 393931
- 393932
- 393933
- 393934
- 393935
- 393936
- 393937
- 393938
- 393939
- 393940
- 393941
- 393942
- 393943
- 393944
- 393945
- 393946
- 393947
- 393948
- 393949
- 393950
- 393951
- 393952
- 393953
- 393954
- 393955
- 393956
- 393957
- 393958
- 393959
- 393960
- 393961
- 393962
- 393963
- 393964
- 393965
- 393966
- 393967
- 393968
- 393969
- 393970
- 393971
- 393972
- 393973
- 393974
- 393975
- 393976
- 393977
- 393978
- 393979
- 393980
- 393981
- 393982
- 393983
- 393984
- 393985
- 393986
- 393987
- 393988
- 393989
- 393990
- 393991
- 393992
- 393993
- 393994
- 393995
- 393996
- 393997
- 393998
- 393999

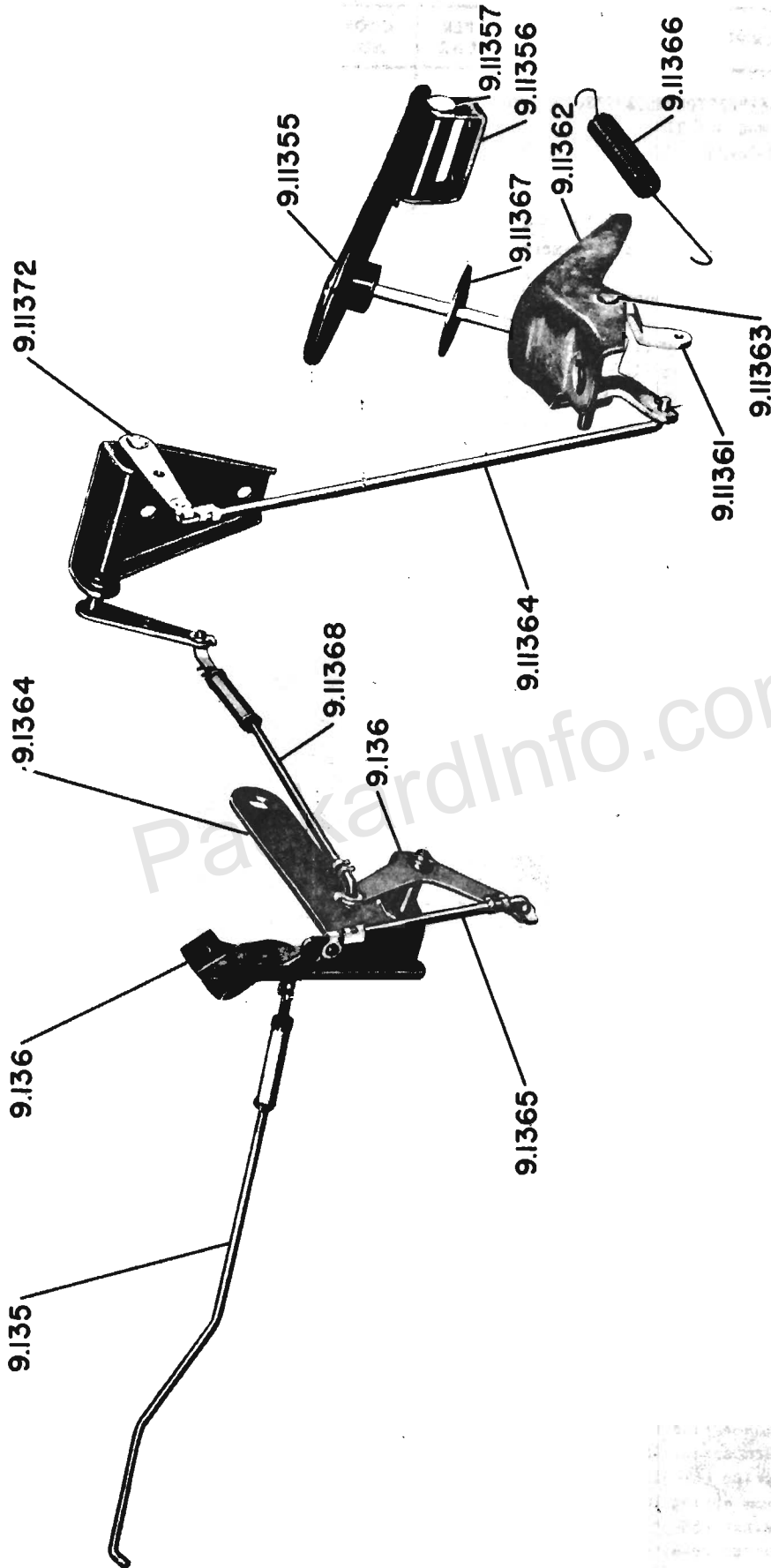
© CARTER CARBURETOR CORP.

CODE NO.	PART NO.	DESCRIPTION AND MODELS	PER CAR	CODE NO.	PART NO.	DESCRIPTION AND MODELS	PER CAR
9.1132		DETAILS OF CARBURETOR NO. 377735 (CARTER NO. WDO-512-S) 1951-2001-11-2100-11					
393801		Body flange and switch assembly (1-372S)	1	393898		Metering rod - 1 size lean (75-519)	2
393805		Throttle valve (2-103)	2	393900		Metering rod - 2 sizes lean (75-520)	2
393807		Throttle shaft and lever assembly (3-454S)	1	393902		Flange stud lockwasher (86-12)	3
393811		Air horn and climatic control assembly (6-368S)	1	393903		Body flange attaching screw lockwasher (86-17)	1
393813		Air horn and pump jet assembly (6-382S)	1	393904		Switch terminal lockwasher (86-37)	2
393816		Choker valve (7-113)	1	393905		Clamp screw (101-10)	1
393819		Low speed jet assembly (11-163S)	2	393906		Coil housing attaching screw (101-26)	2
393821		Body flange rivet plug (11B-26)	2	393908		Trip lever attaching screw (101-65)	1
393822		Pump discharge rivet plug (11B-41)	1	393909		Throttle centering screw (101-69)	1
393824		Rivet plug (11B-79)	5	393910		Fast idle arm attaching screw (101-70)	1
393825		Idle port rivet plug (11B-108)	2	393911		Throttle valve attaching screw (101-73)	4
393829		Nozzle passage plug (11B-127S)	2	393912		Throttle shaft arm attaching screw (101-74)	1
393830		Rivet plug (11B-134)	2	393915		Fast idle adjustment screw (101-84)	1
393831		Nozzle retainer plug (11B-141)	2	393916		Switch terminal screw (101-109)	2
393832		By-pass bleeder screw plug (11B-159)	2	393917		Terminal cap attaching screw (101-112)	1
393834		Nozzle (12-262)	2	393918		Throttle lever adjustment screw (101-121)	1
393837		Choker piston lever, link & shaft assembly (14-225S)	1	393919		Body flange attaching screw (101-124)	1
393838		Choker trip lever (14-249)	1	393920		Air horn attaching screw (special)(101-128)	1
393840		Strainer nut and gasket assembly (15-35S)	1	393925		Bowl cover attaching screw & washer assembly (101-148S)	6
393841		Pump check needle (17-50)	1	393924		Body flange attaching screw & washer assembly (101-149S)	4
393842		Needle seat gasket (20-22)	1	393927		Air horn attaching screw and washer assembly (101-150S)	2
393844		Bowl strainer gasket (20-35)	1	393929		Flange stud nut (105A-11)	3
393845		Metering rod jet gasket (20-54)	2	393930		Anti-percolator arm and screw assembly (111-28S)	1
393846		Idle passage gasket (20-55)	3	393931		Throttle shaft arm (114-39)	1
393847		Float and lever assembly (21-64S)	1	393934		Throttle connector rod (115-66)	1
393851		Float lever pin (24-24)	1	393936		Ball (116-13)	1
393853		Needle and seat assembly (25-98S)	1	393937		Switch ball (116-19)	1
393854		Bowl cover strainer gauze (30-14)	1	393938		Pump arm link (117-58)	1
393855		Piston housing strainer (30-23)	1	393940		Fast idle connector link (117-78)	1
393856		Pump strainer (30-34)	1	393942		Dust cover (118-33)	1
393857		Switch strainer (30-36)	1	393944		Metering rod jet & gasket assembly(120-125S)	2
393859		Idle adjustment screw (30A-41)	2	393947		Body flange gasket (121-43)	1
393860		Valve attaching screw (39-10)	2	393949		Air horn gasket (121-61)	1
393862		Switch plunger (49-128)	1	393951		Bowl cover gasket (121-63)	1
393863		Anti-percolator valve plug assembly (49A-18S)	2	393952		Coil housing gasket (121-74)	1
393864		Fast idle arm, pin and screw assembly (53A-127S)	1	393954		Metering rod disk (129-12)	2
393866		Pump operating lever & countershaft assembly (53A-164S)	1	393955		Choker shaft washer (136-34)	1
393868		Pump arm and collar assembly (53A-216S)	1	393956		Connector rod washer (136-37)	1
393870		Adjustment screw lock spring (61-57)	2	393957		Throttle shaft washer (136-38)	1
393872		Metering rod spring (61-120)	1	393958		Return spring washer (136-53)	1
393873		Connector link spring (61-123)	1	393960		Bowl cover and strainer assembly (146-108S)	1
393875		Fast idle arm spring (61-142)	1	393961		Choke piston pin (150-62)	1
393876		Plunger spring (61-143)	1	393962		Metering rod pin (150-81)	1
393877		Pump arm spring (61-151)	1	393964		Pin spring (150A-10)	5
393878		Pump spring (61-171)	1	393965		Countershaft pin spring (150A-14)	1
393880		Switch contact spring (61-194)	1	393966		Switch contact spring shim (.018) (153-11)	1
393882		Vacuum piston spring (61-199)	1	393967		Switch contact spring shim (.006) (153-12)	1
393883		Switch return spring (61-209)	1	393968		Choke piston (160-35)	1
393886		Fast idle cam spring (61-229)	1	393969		Vacuum piston & link assembly (160-58S)	1
393888		Switch strainer retainer ring (63-43)	1	393972		Thermostatic coil & housing assembly (170M-64S)	1
393889		Ball retainer ring (63-45)	1	393973		Hold-down clip (terminal cap) (172-12)	1
393890		Housing retainer (63-48)	2	393975		Cable clip (172-18)	1
393892		Pump plunger and rod assembly (64-71S)	1	393978		Fast idle cam assembly (181-110S)	1
393895		Metering rod - standard (75-451)	2	393976		Switch guide block (181-87)	1
				393980		Terminal cap assembly (184-20S)	1
				393981		Carter starter switch unit (192-11U)	1

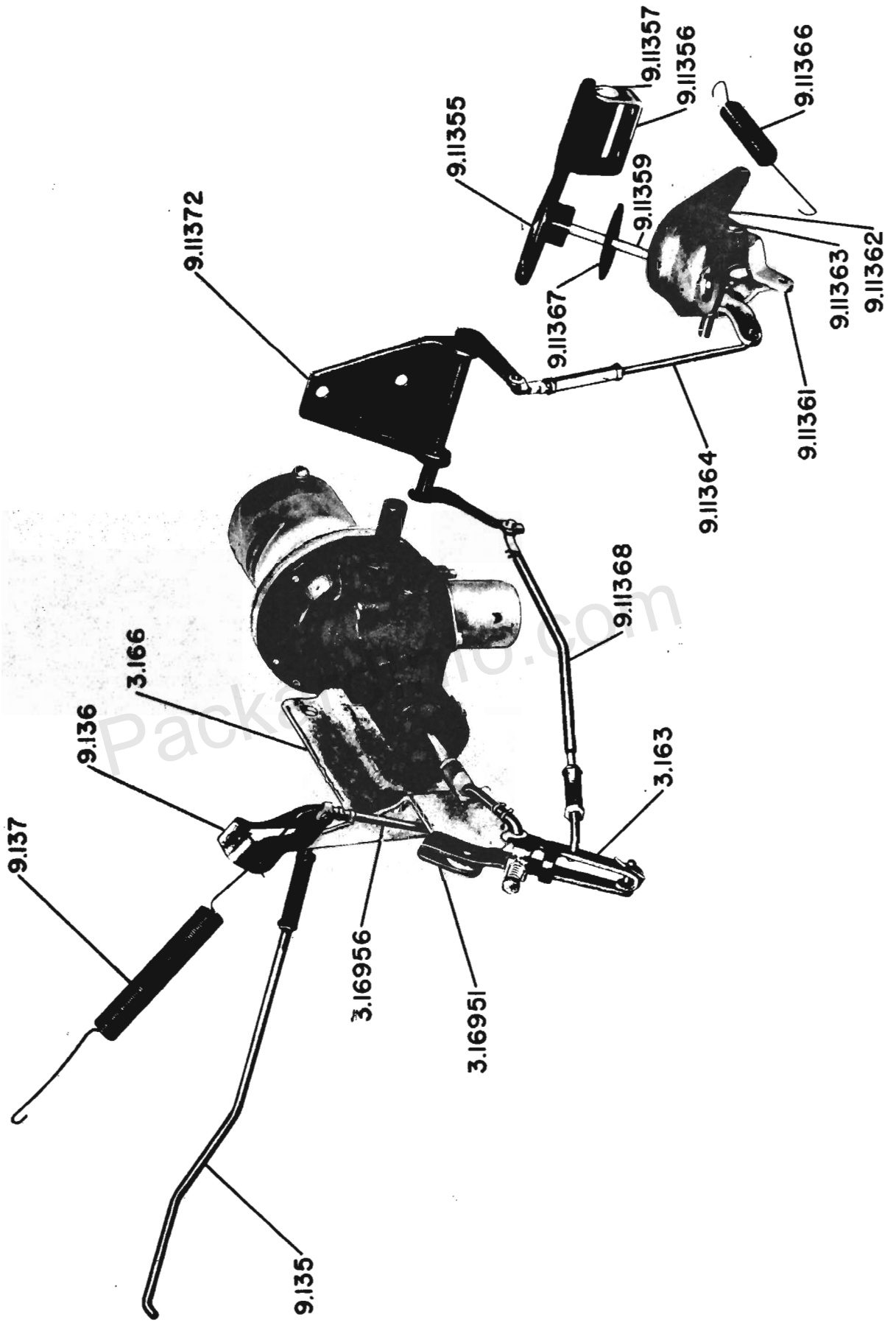
393802 393804 393808 393812 393814 393817 393819 393828 393822 393824 393825 393828 393830 393831 393832 393833 393837 393838 393840 393841 393842 393844 393845 393846 393847 393849 393851 393853 393854 393855 393857 393858 393859 393866 393869 393870 393872 393873 393874 393875 393876 393878 393882 393883 393884 393886 393887 393888 393889 393890 393893 393896 393898 393899 393902 393903 393904 393906 393909 393910 393915 393916 393917 393918 393919 393920 393921 393922 393924 393925 393927 393929 393930 393932 393933 393934 393935 393936 393937 393938 393942 393945 393947 393949 393951 393952 393954 393955 393957 393958 393960 393962 393965 393966 393967 393968 393969 393972 393975 393976 393978 393980 393986 393991 393994 393995 393996 393997 393998 393999

NOTE: Parts are shown here for identification only. Check correct number and price in list given below.

CODE NO.	PART NO.	DESCRIPTION AND MODELS	PER CAR	CODE NO.	PART NO.	DESCRIPTION AND MODELS	PER CAR
9.1133		DETAILS OF CARBURETOR NO.377736 (CARTER NO. WDO-531-S) 2003-06-2103-06-26					
393802		Body flange & switch assembly (1-378S) . . .	1	393890		Thermostat housing retainer (63-48) . . .	2
393804		Throttle valve (1-101)	2	393893		Pump plunger and rod assembly (64-59S) . . .	1
393808		Throttle shaft & lever assembly (3-445S) . . .	1	393896		Metering rod - standard (75-538)	2
393812		Air horn & climatic control assembly (6-370S)	1	393984		Metering rod - one size lean (75-539) . . .	2
393814		Air horn & pump jet assembly (6-381S) . . .	1	393985		Metering rod - two size lean (75-540) . . .	2
393817		Choker valve (7-123)	1	393902		Flange stud lockwasher (86-12)	4
393819		Low speed jet assembly (11-163S)	2	393903		Body flange lockwasher (86-17)	1
393821		Body flange rivet plug (11B-26)	2	393904		Terminal lockwasher (86-37)	2
393822		Pump discharge rivet plug (11B-41)	1	393905		Clamp screw (101-10)	1
393824		Rivet plug (11B-79)	5	393906		Coil housing attaching screw (101-26) . . .	2
393825		Idle port rivet plug (11B-108)	2	393908		Choker shaft attaching screw (101-65) . . .	1
393828		Nozzle passage plug (11B-126)	2	393909		Throttle centering screw (101-69)	1
393830		Rivet plug (11B-134)	2	393910		Fast idle arm attaching screw (101-70) . . .	1
393831		Nozzle retainer plug (11B-141)	2	393912		Throttle shaft arm attaching screw (101-74) .	1
393832		By-pass bleeder screw plug (11B-159) . . .	2	393915		Fast idle adjustment screw (101-84)	1
393835		Nozzle (12-259)	2	393916		Switch terminal screw (101-109)	2
393838		Choker trip lever (14-249)	1	393917		Terminal cap attaching screw (101-112) . . .	1
393837		Choker piston lever, link & shaft assembly (14-225S)	1	393918		Throttle lever adjustment screw (101-121) .	1
393840		Strainer nut & gasket assembly (15-35S) . .	1	393919		Body flange attaching screw (101-124) . . .	1
393841		Pump check needle (17-50)	1	393920		Throttle valve attaching screw (101-126) . .	1
393842		Needle seat gasket (20-22)	1	393921		Air horn attaching screw - special (101-128)	1
393844		Bowl strainer gasket (20-35)	1	393925		Bowl cover screw & washer assembly (101-148S)	6
393845		Nozzle gasket (upper) (20-45)	2	393924		Body flange screw & washer assembly (101-149S)	3
393846		Metering rod jet gasket (20-54)	2	393927		Air horn screw & washer assembly (101-150S)	2
393847		Idle passage gasket (20-55)	3	393929		Flange stud nut (105A-11)	4
393849		Float & lever assembly (21-64S)	1	393930		Anti-percolator arm & screw assembly (111-28S)	1
393851		Float lever pin (24-24)	1	393983		Throttle shaft arm (114-35)	1
393853		Needle & seat assembly (25-98S)	1	393935		Throttle connector rod (115-57)	1
393854		Bowl cover strainer gauze (30-14)	1	393936		Pump check ball (116-13)	1
393855		Piston housing strainer (30-23)	1	393937		Switch ball (116-19)	1
393856		Pump strainer (30-34)	1	393938		Pump arm link (117-58)	1
393857		Switch strainer (30-36)	1	393942		Dust cover (118-33)	1
393859		Idle adjustment screw (30A-41)	2	393945		Metering rod jet assembly (120-139S) . . .	2
393860		Choke valve attaching screw (39-10)	2	393947		Body flange gasket (121-43)	1
393862		Switch plunger (49-128)	1	393949		Air horn gasket (121-61)	1
393863		Anti-percolator valve plug assembly (49A-18S)	2	393951		Bowl cover gasket (121-63)	1
393864		Fast idle arm, pin & screw assembly (53A-127S)	1	393952		Coil housing gasket (121-74)	1
393866		Pump operating lever & countershaft assembly (53A-164S)	1	393954		Metering rod disk (129-12)	2
393869		Pump arm & collar assembly (53A-180S) . . .	1	393955		Choker shaft washer (136-34)	1
393870		Adjustment screw lock spring (61-57) . . .	2	393957		Throttle shaft washer (136-38)	1
393872		Metering rod spring (61-120)	1	393958		Return spring washer (136-53)	1
393873		Connector link spring (61-123)	1	393960		Bowl cover & strainer assembly (146-108S)	1
393874		Connector rod spring (61-128)	1	393961		Choke piston pin (150-62)	1
393875		Fast idle arm spring (61-142)	1	393962		Metering rod pin (150-81)	1
393876		Plunger spring (61-143)	1	393964		Pin spring (150A-10)	4
393878		Pump spring (61-171)	1	393965		Countershaft pin spring (150A-14)	1
393880		Switch contact spring (61-194)	1	393966		Switch contact spring shim (.018) (153-11)	1
393882		Vacuum piston spring (61-199)	1	393967		Switch contact spring shim (.006) (153-12)	1
393883		Switch return spring (61-209)	1	393968		Choke piston (160-35)	1
393884		Pump arm spring (61-212)	1	393969		Vacuum piston & link assembly (160-58S) . .	1
393886		Fast idle cam spring (61-229)	1	393972		Thermostatic coil & housing assembly (170M64S)	1
393887		Spring retainer (63-35)	1	393973		Terminal cap hold-down clip (172-12)	1
393888		Switch strainer retainer ring (63-43) . . .	1	393975		Cable clip (172-18)	1
393889		Ball retainer ring (63-45)	1	393978		Fast idle cam assembly (181-110S)	1
				393976		Switch guide block (181-87)	1
				393980		Terminal cap assembly (184-20S)	1
				393981		Carter starter switch unit (192-110)	1



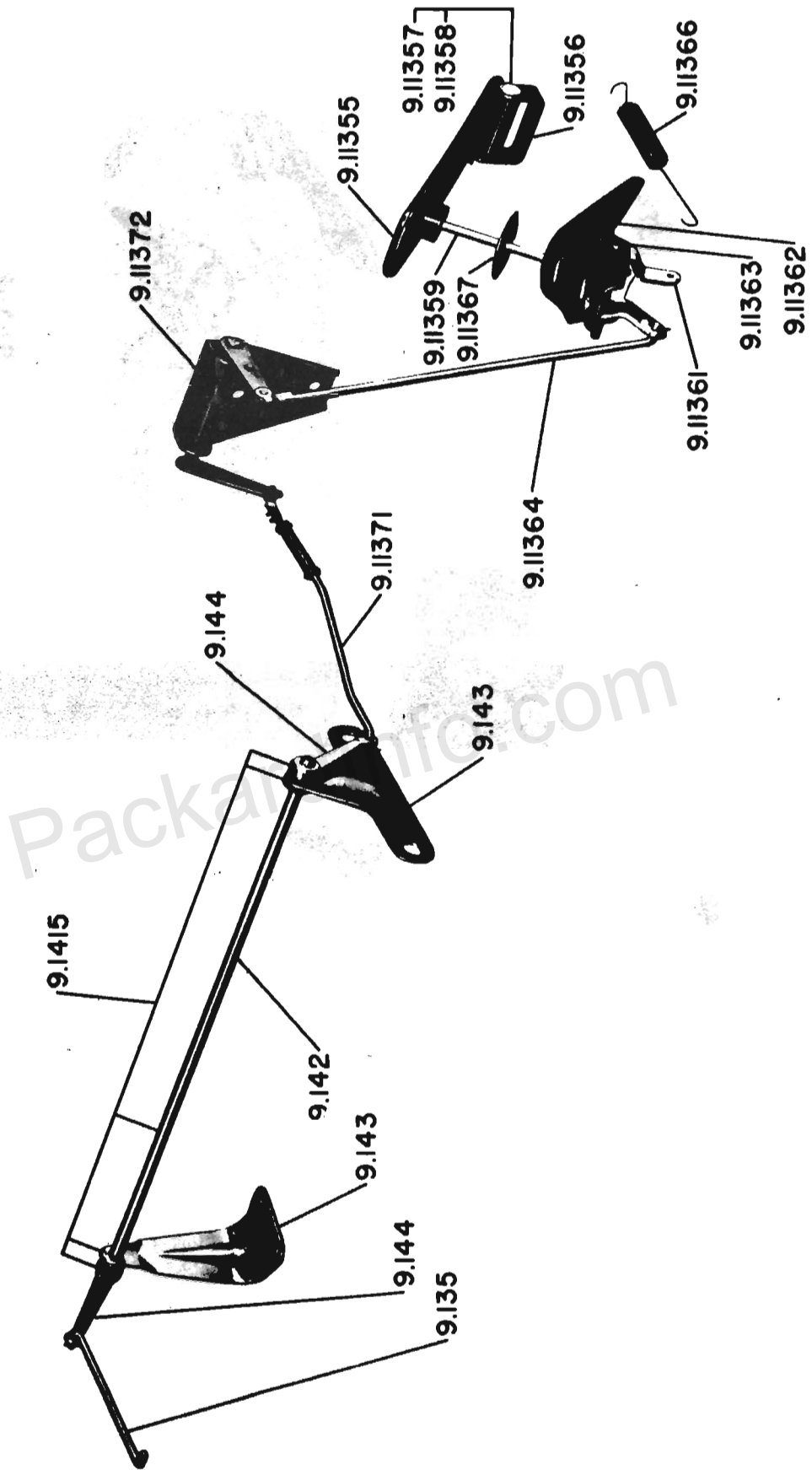
CARBURETOR CONTROL - 2000-10-2100-30



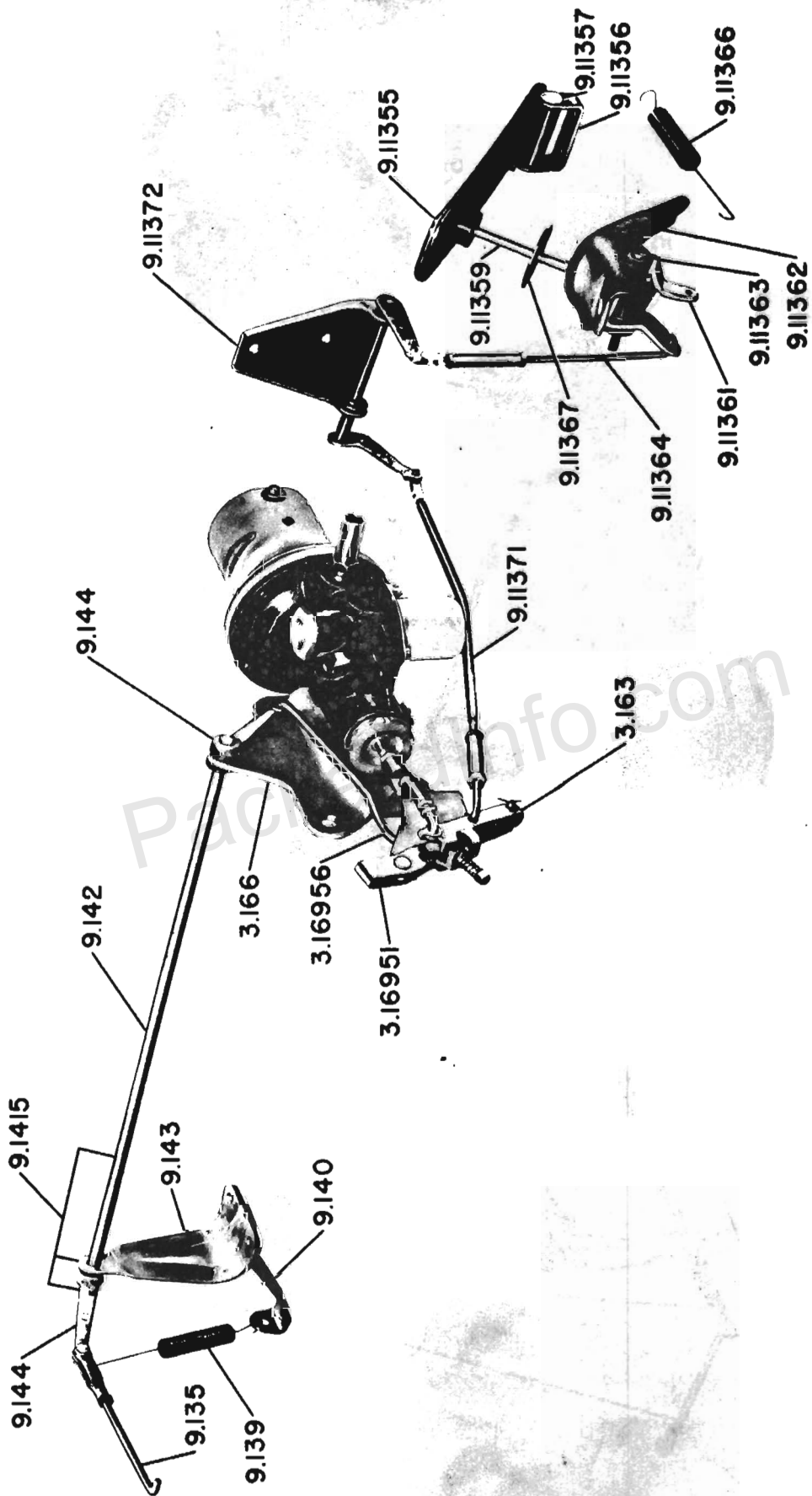
CARBURETOR CONTROL (WITH ELECTROMATIC CLUTCH) - 2000-10

CODE NO.	PART NO.	DESCRIPTION AND MODELS	PER CAR
CARBURETOR CONTROL			
9.11354		LINKAGE KIT - CARBURETOR THROTTLE CONTROL	
384075	2000-10-2100-30	1	
384077	2001-11-2101-11	1	
384079	2003-06-2103-06-26	1	
382767	used with Electromatic Clutch, 2000-10	1	
382769	used with Electromatic Clutch, 2001-11	1	
382775	used with Electromatic Clutch, 2003-06	1	
9.11355		PEDAL - ACCELERATOR	
362838	1951-2000-01-03-06-10-11-2100-01-03-06-11-26-30	1	
9.11356		BRACKET - ACCELERATOR PEDAL HINGE	
362356	1951-2000-01-03-06-10-11-2100-01-03-06-11-26-30	1	
6588	Screw 1/4-28 x 1/2 rnd. hd. (50.000) 1951-2000-01-03-06-10-11-2100-01-03-06-11-26-30	2	
5502	Lockwasher 1/4 (50.220) 1951-2000-01-03-06-10-11-2100-01-03-06-11-26-30	2	
7004	Nut 1/4-28, 1951-2000-01-03-06-10-11-2100-01-03-06-11-26-30	2	
9.11357		PIN - ACCELERATOR PEDAL HINGE	
338323	1951-2000-01-03-06-10-11-2100-01-03-06-11-26-30	1	
9.11358		RETAINING RING - ACCELERATOR PEDAL HINGE PIN	
225490	1951-2000-01-03-06-10-11-2100-01-03-06-11-26-30	1	
9.11359		ROD - ACCELERATOR PEDAL PUSH	
371768	1951-2000-01-03-06-10-11-2100-01-03-06-11-26-30	1	
3907	Washer 1/4 (50.200) 1951-2000-01-03-06-10-11-2100-01-03-06-11-26-30	1	
194732	Spring washer 1/4 (50.242) 1951-2000-01-03-06-10-11-2100-01-03-06-11-26-30	1	
4280	Cotter pin 1/16 x 1/2 (50.240) 1951-2000-01-03-06-10-11-2100-01-03-06-11-26-30	1	
9.11361		LEVER - ACCELERATOR PEDAL PUSH ROD	
371998	1951-2000-01-03-06-10-11-2100-01-03-06-11-26-30	1	
9.11362		BRACKET - ACCELERATOR PEDAL PUSH ROD LEVER	
373014	1951	1	
379297	2000-01-03-06-10-11-2100-01-03-06-11-26-30	1	
6507	Screw 1/4-28 x 9/16 conical point (50.000) 1951-2000-01-03-06-10-11-2100-01-03-06-11-26-30	2	
5447	Lockwasher 1/4 external (50.230) 1951-2000-01-03-06-10-11-2100-01-03-06-11-26-30	2	

CODE NO.	PART NO.	DESCRIPTION AND MODELS	PER CAR
CARBURETOR CONTROL-Continued			
9.11363		PIN - ACCELERATOR PEDAL PUSH ROD LEVER	
373109	1951	1	
379296	2000-01-03-06-10-11-2100-01-03-06-11-26-30	1	
373202	Washer, 1951-2000-01-03-06-10-11-2100-01-03-06-11-26-30	2	
4280	Cotter pin 1/16 x 1/2 (50.240) 1951-2000-01-03-06-10-11-2100-01-03-06-11-26-30	1	
9.11364		ROD - ACCELERATOR PEDAL PUSH ROD LEVER TO RELAY LEVER	
373078	1951-2000-01-03-06-10-11-2100-01-03-06-11-26-30	1	
378780	long, used with Electromatic Clutch, 1951-2000-01-10-11	1	
373015	short, used with Electromatic Clutch, 1951-2000-01-10-11	1	
373114	long, used with overdrive, 1951-2000-01-03-06-10-11-2100-01-03-06-11-26	1	
373085	short, used with overdrive, 1951-2000-01-03-06-10-11-2100-01-03-06-11-26	1	
389939	used with Electromatic Clutch, 2100-01-11	1	
367312	Turnbuckle, used with Electromatic Clutch, 1951-2000-01-10-11	1	
7003	Nut #10-32, RH thread, long rod, used with Electromatic Clutch, 1951-2000-01-10-11	1	
367303	Nut #10-32 LH thread short rod, used with overdrive, 1951-2000-01-03-06-10-11-2100-01-03-06-11-26	1	
3906	short rod, used with Electromatic Clutch, 1951-2000-01-10-11	1	
4280	Washer 3/16 (50.200) 1951-2000-01-03-06-10-11-2100-01-03-06-11-26-30	1	
338753	Cotter pin 1/16 x 1/2 (50.240) 1951-2000-01-03-06-10-11-2100-01-03-06-11-26-30	1	
338753	Clevis clip, 1951-2000-01-03-06-10-11-2100-01-03-06-11-26-30	1	
9.11366		SPRING - ACCELERATOR PEDAL RETRACTING	
371454	1951-2000-01-03-06-10-11-2100-01-03-06-11-26-30	1	
9.11367		WEATHER SEAL - ACCELERATOR PUSH ROD	
338580	1951-2000-01-03-06-10-11-2100-01-03-06-11-26-30	1	
9.11368		ROD - ACCELERATOR RELAY LEVER TO CARBURETOR THROTTLE BELL CRANK	
373106	long, 2000-10-2100-30	1	
373085	short, 2000-10-2100-30	1	
338753	Clevis clip, right, 2000-10-2100-30	1	
338752	Clevis clip, left, 2000-10-2100-30	1	
367312	Turnbuckle, 2000-10-2100-30	1	
367303	Nut #10-32, LH thread, 2000-10-2100-30	1	
7003	Nut #10-32, (50.100) 2000-10-2100-30	1	

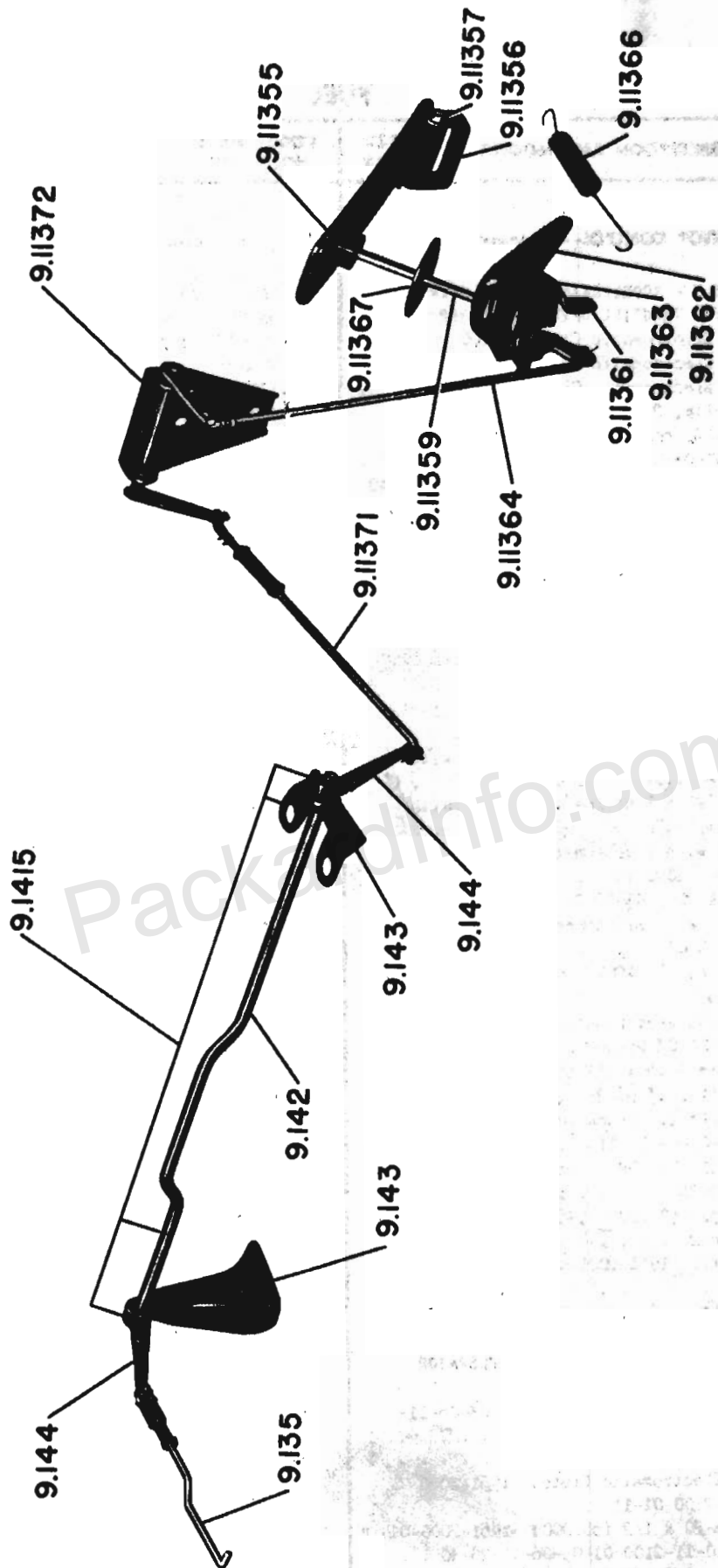


CARBURETOR CONTROL - 1951-2001-11-2101-11

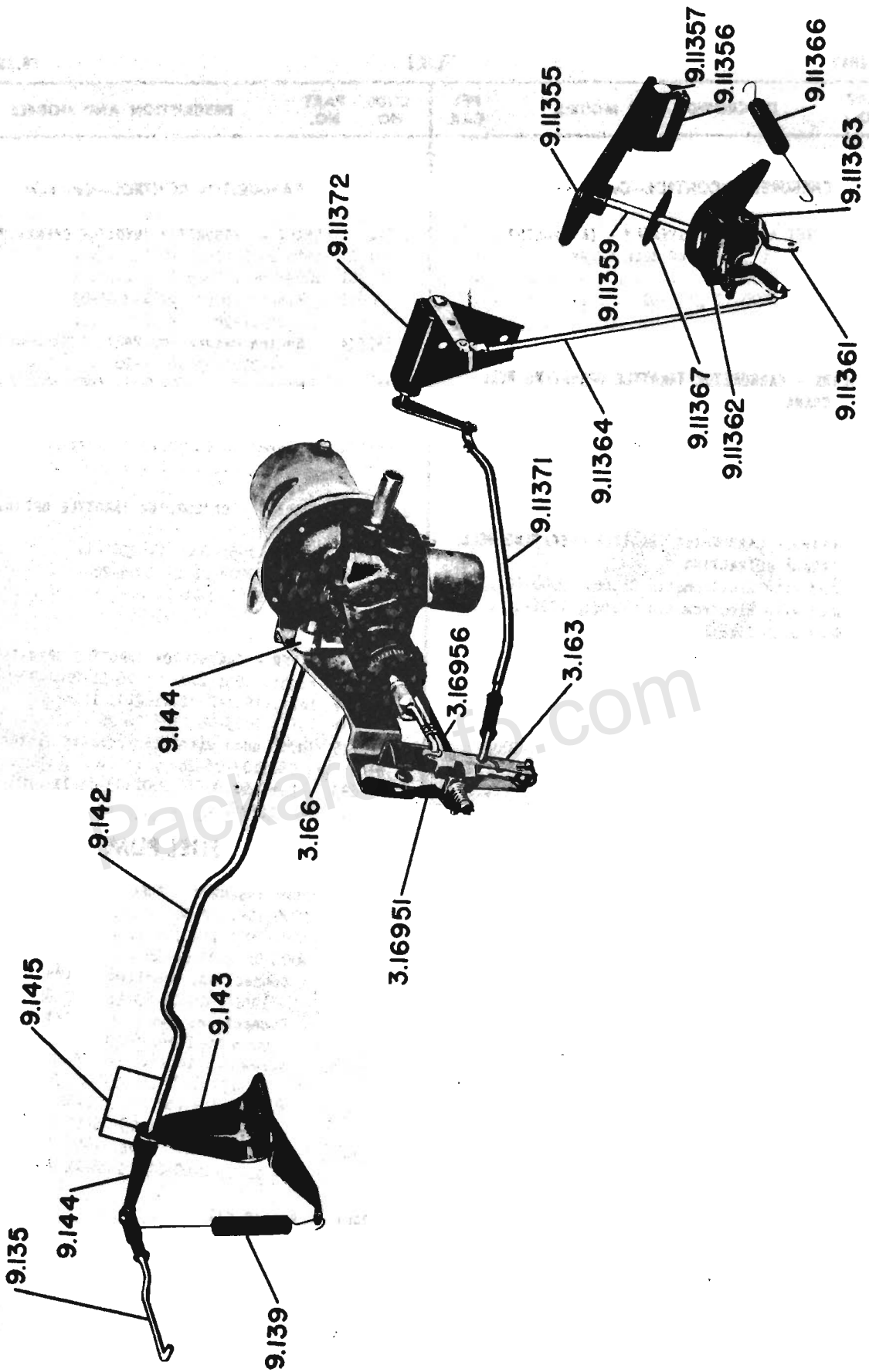


CARBURETOR CONTROL (WITH ELECTROMATIC CLUTCH) - 1951-2001-11

CODE NO.	PART NO.	DESCRIPTION AND MODELS	PER CAR	CODE NO.	PART NO.	DESCRIPTION AND MODELS	PER CAR
CARBURETOR CONTROL-Continued				CARBURETOR CONTROL-Continued			
9.11370		ROD ASSEMBLY - ACCELERATOR RELAY LEVER TO CARBURETOR THROTTLE OPERATING LEVER		9.135		ROD - CARBURETOR THROTTLE OPERATING	
395108		used with Electromatic Clutch, 2100	1	367283		1951	1
389923		used with Electromatic Clutch, 2101-11	1	367313		long, 2000-10-2100-30	1
395101		used with Electromatic Clutch, 2103-06-26	1	373085		short, 2000-10-2100-30	1
338753		Clevis clip, 2100-01-03-06-11-26	1	378638		2001-11-2101-11	1
3907		Washer 1/4, rod end pin (50.200)	1	378142		2003-06-2103-06-26	1
		2100-01-03-06-11-26	1	367283		used with Electromatic Clutch, 2001-11-2101-11	1
4280		Cotter pin 1/16 x 1/2, rod end pin (50.240)	1	367312		Turnbuckle, 2000-10-2100-30	1
		2100-01-03-06-11-26	1	367303		Nut #10-32, LH thd., 2000-10-2100-30	1
367303		Nut #10-32, rod end, 2100-01-03-06-11-26	1	7003		Nut #10-32 (50.100) 1951-2000-03-06-10-2100-03-06-11-26-30	1
9.11371		ROD - ACCELERATOR RELAY LEVER TO CARBURETOR THROTTLE OPERATING LEVER (LEFT)		7513		Yoke end 3/16 adj. (50.560) 1951-2003-06-2103-06-26	1
373086		long, 1951-2001-11-2101-11	1			used with Electromatic Clutch, 2101-11	1
377675		long, 2003-06-2103-06-26	1	7523		Pin 3/16, yoke end, (50.555) 1951-2003-06-2103-06-26	1
373026		long, used with Electromatic Clutch, 2000	1			used with Electromatic Clutch, 2101-11	1
373072		long, used with Electromatic Clutch, 1951-2001-11	1	3906		Washer 3/16 (50.200) 1951-2001-03-06-11-2100-03-06-11-26	2
378118		long, used with Electromatic Clutch with overdrive, 2001-11	1			used with Electromatic Clutch, 2101-03-06-11-26	1
373160		long, used with Electromatic Clutch with overdrive, 1951	1	4280		Cotter pin 1/16 x 1/2 (50.240) 1951-2001-03-06-11-2101-03-06-11-26	2
378121		long, used with Electromatic Clutch with overdrive, 2000-10	1			used with Electromatic Clutch, 2101-03-06-11-26	1
373085		short, 1951-2001-03-06-2101-03-06-11-26	1	190192		Spring washer #10 (50.242) 2001-11-2101-11	2
373034		short, used with Electromatic Clutch, 1951-2000-01-03-06	1			2003-06-2103-06-26	1
3906		Washer 3/16 (50.200) 1951-2001-03-06-11-2103-06-26	1			used with Electromatic Clutch, 2101-03-06-11-26	1
		used with Electromatic Clutch, 1951-2000-01-03-06-10-11	2	338752		Clevis clip, bell crank end, 2000-10-2100-30	1
4280		Cotter pin 1/16 x 1/2 (50.240) 1951-2001-03-06-11-2103-06-26	1	338753		Clevis clip, carburetor end, 2000-10-2100-30	1
		used with Electromatic Clutch, 1951-2000-01-03-06-11	2				
367303		Nut #10-32, LH thd., 1951-2001-03-06-11-2103-06-26	1	9.136		BELL CRANK - CARBURETOR THROTTLE OPERATING	
7003		Nut #10-32 (50.100) 1951-2001-03-06-11-2103-06-26	1	373004		lower, 2000-10-2100-30	1
338752		Clevis clip, 1951-2001-03-06-11-2103-06-26	1	367286		upper, 2000-10-2100-30	1
367312		Turnbuckle, 1951-2001-03-06-2103-06-26	1			used with Electromatic Clutch, 2100	1
9.11372		SHAFT AND BRACKET ASSEMBLY - ACCELERATOR RELAY LEVERS		373288		Pin, upper bell crank, 2000-10-2100-30	1
371956		1951-2000-01-03-06-10-11-2100-01-03-06-11-26-30	1	4280		Cotter pin 1/16 x 1/2 (50.240) 2000-10-2100-30	2
389916		2126	1	3907		Washer 1/4, lower bell crank, (50.200) 2000-10-2100-30	1
378976		used with Electromatic Clutch, 1951-2000-01-10-11-2100-01-11	1	194732		Spring washer, lower bell crank, (50.242) 2000-10-2100-30	1
6612		Screw 1/4-20 x 1/2 (50.000) 1951-2000-01-03-06-10-11-2100-01-03-06-11-26-30	2	9.1363		BELL CRANK AND BRACKET ASSEMBLY - CARBURETOR THROTTLE OPERATING	
5502		Lockwasher 1/4 (50.220) 1951-2000-01-03-06-10-11-2100-01-03-06-11-26-30	2	373286		2000-10-2100-30	1
				7758		Screw 3/8-16 x 5/8 hex. hd. (50.100) 2000-10-2100-30	2
				6048		Lockwasher 3/8 internal (50.230) 2000-10-2100-30	2



CARBURETOR CONTROL - 2003-06-2103-06-26



CARBURETOR CONTROL (WITH ELECTROMATIC CLUTCH) - 2003-06

FUEL

CODE NO.	PART NO.	DESCRIPTION AND MODELS	PER CAR
CARBURETOR CONTROL—Continued			
9.1364		BRACKET AND STUD ASSEMBLY - CARBURETOR THROTTLE OPERATING BELL CRANK	
	373084	2000-10-2100-30	1
	373083	Stud, 2000-10-2100-30	1
9.1365		LINK - CARBURETOR THROTTLE OPERATING BELL CRANK	
	373079	2000-10-2100-30	1
	338752	Clevis clip, upper, 2000-10-2100-30	1
	338753	Clevis clip, lower, 2000-10-2100-30	1
9.137		SPRING - CARBURETOR THROTTLE OPERATING BELL CRANK RETRACTING	
	373390	used with Electromatic Clutch, 2000-10	1
	395259	used with Electromatic Clutch, 2101-11	1
	395350	used with Electromatic Clutch, 2103-06-26.	1
9.139		SPRING - CARBURETOR THROTTLE OPERATING ROD RETRACTING	
	371026	used with Electromatic Clutch, 1951-2001-03-06-11	1
	373390	2000-10-2100-30	1
9.140		BRACKET - CARBURETOR THROTTLE OPERATING ROD RETRACTING SPRING	
	371021	used with Electromatic Clutch, 1951-2001-11	1
	377558	used with Electromatic Clutch, 2003-06-2101-03-06-11-26	1
9.1415		SHAFT AND BRACKET ASSEMBLY - CARBURETOR THROTTLE OPERATING	
	373366	1951-2001-11-2101-11	1
	378234	2003-06-2103-06-26	1
	367331	used with Electromatic Clutch, 1951-2001-11-2101-11	1
	378146	left, used with Electromatic Clutch, 2003-06-2103-06-26	1
	7758	Screw 3/8-16 x 5/8 (50.100) 1951-2001-11-2101-11	2
	7767	Screw 1/4-20 x 5/8 (50.100) 2001-03-06-11-2101-03-06-11-26	2
	6048	Lockwasher 3/8 internal (50.220) 1951-2001-11-2101-11	2
	5502	Lockwasher 1/4 (50.220) 2001-03-06-11-2101-03-06-11-26	2
	3870	Spacer 1/4 x 3/32 thick, 1951-2001-03-06-11-2101-03-06-11-26	2

CODE NO.	PART NO.	DESCRIPTION AND MODELS	PER CAR
CARBURETOR CONTROL—Continued			
9.142		SHAFT - CARBURETOR THROTTLE OPERATING	
	367280	1951-2001-11-2101-11	1
	367281	2003-06-2103-06-26	1
	300693	Pin (50.805) 1951-2001-03-06-11-2101-03-06-11-26	1
	330344	Spring washer (50.242) 1951-2001-03-06-11-2101-03-06-11-26	1
	338405	Washer 5/16 (50.200) 1951-2001-03-06-11-2101-03-06-11-26	1
	6228	Washer 5/16 (50.200) 2003-06-2103-06-26	1
	3874	Washer 5/16 (50.200) 1951-2001-11-2101-11	1
9.143		BRACKET - CARBURETOR THROTTLE OPERATING SHAFT	
	367470	right, 1951-2001-11-2101-11	1
	367269	right, 2003-06-2103-06-26	1
	371781	left, 1951-2001-11-2101-11	1
	377689	left, 2003-06-2103-06-26	1
9.144		LEVER - CARBURETOR THROTTLE OPERATING SHAFT	
	371018	right, 1951-2001-03-06-11-2101-03-06-11-26	1
	367259	left, 1951-2001-11-2101-11	1
	378380	left, 2003-06-2103-06-26	1
	378145	left, used with Electromatic Clutch, 2003-06-2103-06-26	1
	300693	Pin (50.805) 2001-03-06-11-2101-03-06-11-26	2

FUEL PUMP

9.200		PUMP ASSEMBLY - FUEL	
	364678	2000-10-2100-30	1
	348092	1951-2001-11-2101-11	1
	378161	2003-06-2103-06-26	1
	6658	Connection, gasoline outlet, 1951-2000-01-10-11-2100-01-11-30	1
	6657	Connection, gasoline outlet, 2003-06-2103-06-26	1
	324791	Screw 3/8-16 x 1-3/4 (50.003) 1951-2000-01-03-06-10-11-2100-01-03-06-11-26-30.	2
	6781	Washer 3/8 (50.200) 1951-2000-01-03-06-10-11-2100-01-03-06-11-26-30	1
	120813	Lockwire, 11" long, 1951-2000-01-03-06-10-11-2100-01-03-06-11-26-30	1
9.2001		REPAIR KIT	
	351072	2000-10-2100-30.	1
	351074	1951-2001-03-06-11-2101-03-06-11-26	1
9.201		BUSHING - INSULATOR	
	324791	1951-2000-01-03-06-10-11-2100-01-03-06-11-26-30	2
9.2017		ELBOW - GASOLINE INLET	
	327638	1951-2000-01-10-11-2100-01-11-30	1

CODE NO.	PART NO.	DESCRIPTION AND MODELS	PER CAR	CODE NO.	PART NO.	DESCRIPTION AND MODELS	PER CAR
FUEL PUMP—Continued				TANK—Continued			
9.203	GASKET			9.308	TEE BOLT - SUPPORT		
327807	1951-2000-01-03-06-10-11-2100-01-03-06-11-26-30		1	300997	1951-2000-01-03-06-10-11-2100-01-03-06-11-26-30		2
9.2035	SHIELD ASSEMBLY - HEAT			5506	Lockwasher 3/8 (50.220)		2
364640	1951		1	7006	Nut 3/8-24 (50.100)		2
364639	2000-10-2100-30		1	9.309	LINER - GASOLINE TANK TO FRAME		
377343	2001-11-2101-11		1	326755	1951-2000-01-03-06-10-11-2100-01-03-06-11-26-30		2
364641	2003-06-2103-06-26		1	TUBING			
9.2036	BRACKET - HEAT SHIELD LOWER			9.400	TUBE ASSEMBLY - GASOLINE MAIN		
364643	1951-2000-01-03-06-10-11-2100-01-03-06-11-26-30		1	373514	1951		1
7146	Screw #10-32 x 1/4, lower bracket, (50.004) 1951-2000-01-03-06-10-11-2100-01-03-06-11-26-30		2	373825	2000-10-2100-30		1
5500	Lockwasher #10 (50.220) 1951-2000-01-03-06-10-11-2100-01-03-06-11-26-30		2	373823	2001-11-2101-11		1
9.205	WASHER - INSULATING			373824	2003-06-2103-06		1
324772	1951-2000-01-03-06-10-11-2100-01-03-06-11-26-30		2	387596	2126		1
9.209	TUBE ASSEMBLY - FUEL PUMP TO CARBURETOR			6658	Connector, 5/16 flared tube (50.725) 1951-2000-01-03-06-10-11-2100-01-03-06-11-26-30		1
378153	2000-10-2100-30		1	304711	Screw 5/16-18 x 9/16 hex. hd., washer type, frame connection, 1951-2000-01-03-06-10-11-2100-01-03-06-11-26-30		1
364664	1951-2001-11-2101-11		1	300614	Nut, 5/16 flared tube (50.725) 1951-2000-01-03-06-10-11-2100-01-03-06-11-26-30		1
378408	2003-06-2103-06-26		1	9.4005	CLIP - TUBE		
300614	Nut 5/16 weatherhead (50.725) 1951-2000-01-03-06-10-11-2100-01-03-06-11-26-30		2	320547	1951-2000-01-03-06-10-11-2100-01-03-06-11-30		7
TANK				320547	2126		6
<i>Note: For gas tank gauge, refer to Code 4.0600 thru 4.06021</i>				327512	to frame, 1951-2000-01-03-06-10-11-2100-01-03-06-11-26-30		1
9.300	TANK ASSEMBLY - GASOLINE			320294	to front channel, 1951-2000-01-10-11-2100-01-11-30		1
373579	1951-2000-01-10-11-2100-01-11-30		1	379120	to engine stabilizer support, 2003-06-2103-06-26		1
373580	2003-06-2103-06		1	304711	Screw 5/16-18 x 9/16 hex. hd., washer type, frame clip, 1951-2000-01-03-06-10-11-2100-01-03-06-11-26-30		1
387751	2126		1	9.4006	CONNECTION - TUBE FRAME		
4564	Drain plug 1/4-18 (50.720) 1951-2000-01-03-06-10-11-2100-01-03-06-11-26-30		1	373502	1951-2000-10-2100-30		1
9.302	CAP ASSEMBLY - INLET			378901	2001-11-2101-11		1
358055	1951-2000-01-03-06-10-11-2100-01-03-06-11-26-30		1	379006	2003-06-2103-06-26		1
9.3055	WHISTLE ASSEMBLY - INLET VENT			9.406	HOSE ASSEMBLY - FUEL PUMP INLET		
371131	1951-2000-01-03-06-10-11-2100-01-03-06-11-26-30		1	367197	1951-2000-01-03-06-10-11-2100-01-03-06-11-26-30		1
9.306	STRAP AND ANTI-SQUEAK ASSEMBLY - SUPPORT						
373471	1951-2000-01-10-11-2100-01-11-30		2				
371153	2003-06-2103-06		2				
9.307	ANTI-SQUEAK - SUPPORT STRAP						
303347	1951-2000-01-10-11-2100-01-11-30		2				
373362	2003-06-2103-06-26		2				